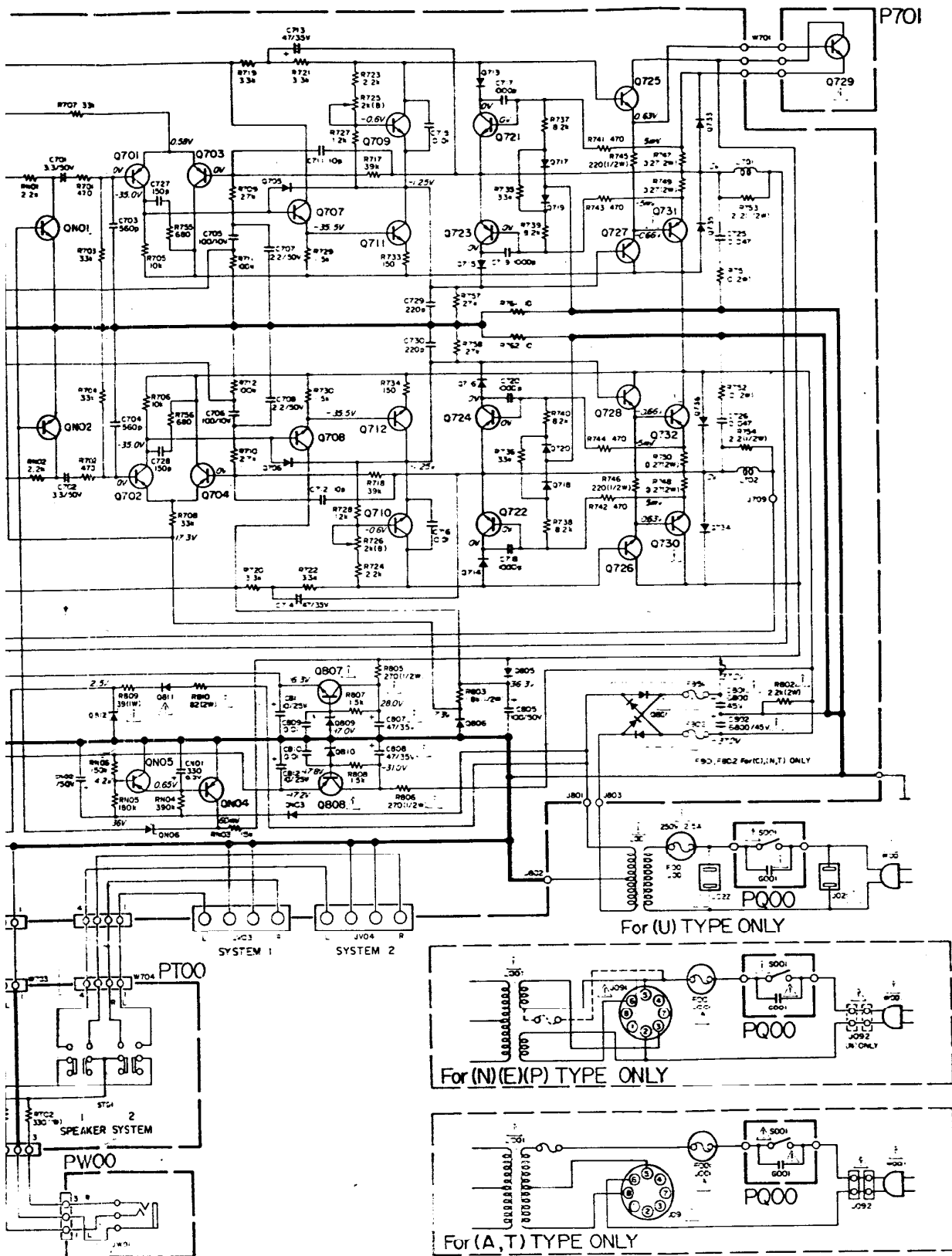
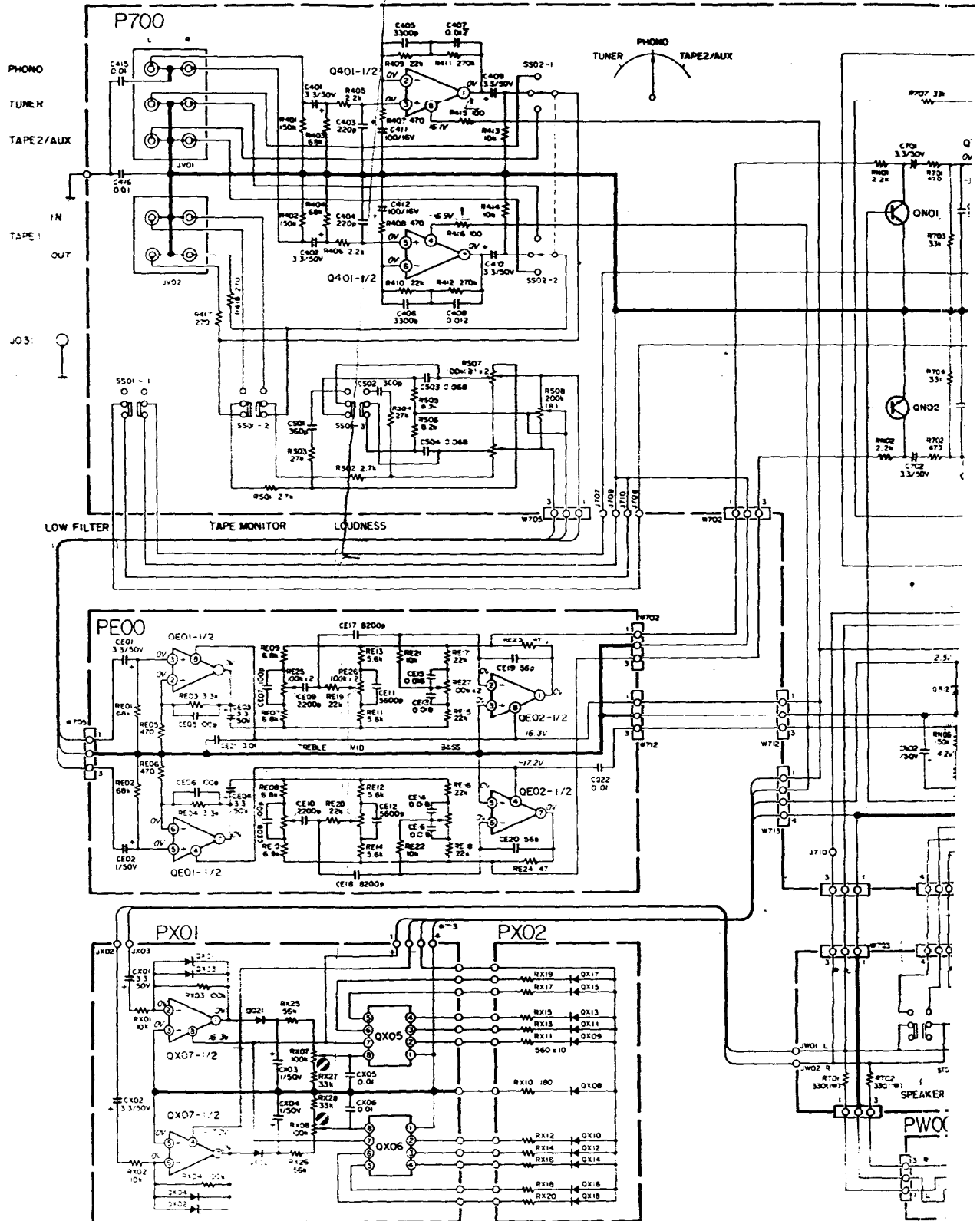


SCHEMATIC DIAGRAM FOR Model PM350



- Q401
4558D
- Q701~Q704
2SA750(E)
- Q705, Q706
52471
- Q707, Q708
2SC1400(E)
- Q709, Q710
2SC945(P)
- Q711, Q712
2SD666(B, C)
- Q713~Q716
51555
- Q717~Q720
52472
- Q721, Q722
2SC945(O)
- Q723, Q724
2SA733(O)
- Q725, Q726
2SD667(C, D)
- Q727, Q728
2SB647(C, D)
- Q729, Q730
2SC2578(O, Y)
- Q731, Q732
2SA1103(O, Y)
- Q733~Q736
W06B
- Q801
54V820
- Q805
J5135D
- Q806, Q809, Q810
HZ16L
- Q807
2SD571LK
- Q808
2SB625LK
- Q812
HZ16L
- QE01, QE02
4558D
- QX01, QX02
WZ038
- QX03, QX04
51555
- QX05, QX06
TL489C
- QX07
1N6552
- QX08
GL-9NG9
- QX09~QX18
GL-9PR9
- Q811
05135



Note on safety: The parts marked with i are important parts on the safety. Please use the parts marked with i and parts number.